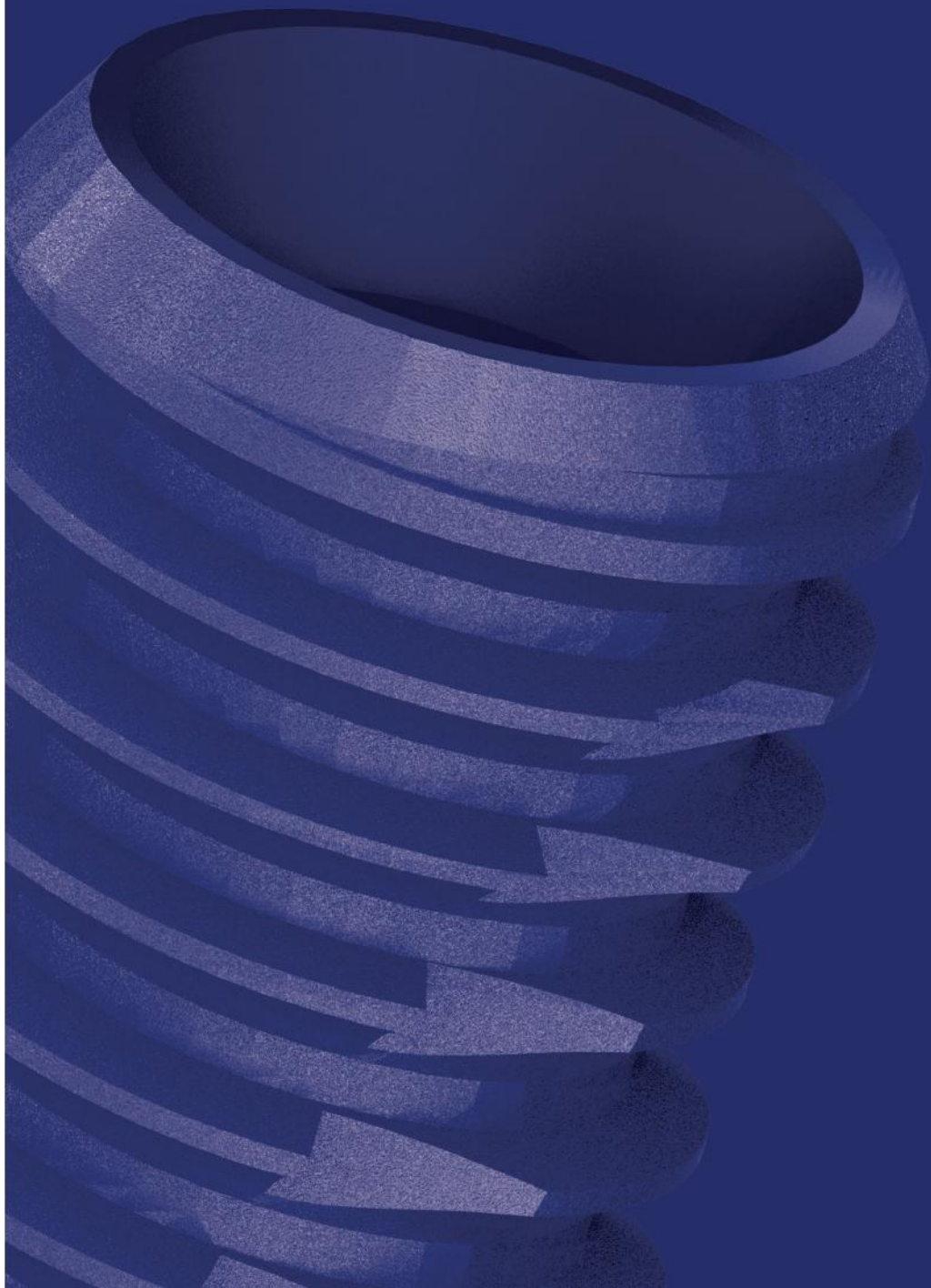


mib[®] make it best



IMPLANT
SYSTEM



Our Mission

It's MIB's mission to satisfy dental practitioners' desires for high-quality, low-cost care solutions that keep patients happy.

MIB™ Products offer reliable performance where you need it.

Catalog Index

● M+ Introduction	2
● M+ Advantages	4
● Conical Connection	6
● M+ Fixtures	8
● Healing Abutments	16
● Straight Abutments	20
● 2in1 Abutments	23
● Angled Abutments	24
● Impression Coping	28
● Ball Abutments	30
● Customized Abutments.....	32
● Plastic Abutments	34
● Temporary & Analog	35
● Multi Abutments	36
● Multi Angled Abutments	38
● Surgical Components.....	44
● Multi Depth Gauge	46
● Prosthetic Components	47
● Order Sheet	48



Introduction

Overview

M+ conical connection implants are the outcome of an exceptionally high-level R&D process.

The proven M+ implant surface quality provides biological benefits for hard and soft tissues promoting esthetic results.



M+ IMPLANTS
World-Class Design

IMPLANT SYSTEMS

Resulting in implant systems that are simple, easy-to-use and offer many enhanced functionality and performance features.

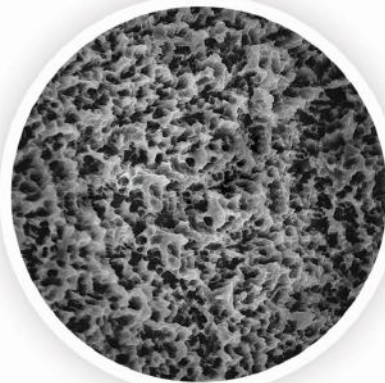
3



STERILE INSTRUMENTATION
STERILIZATION: 134°C / 283°F / 30 PSI / 30 MIN
1.54" L x 18" W



Advantages



Fast Bone Regeneration

Nano Hydrophilic S.L.A Surface Treatment

- Sand blasted with H.A particles
- Double acid etched treatment
- Intermediate treatment for Nano Hydrophilic Surface
- Early cell response: Faster than S.L.A and R.B.M
- Early bone healing: Faster than S.L.A and R.B.M
- Early loading possible after 6 weeks

5



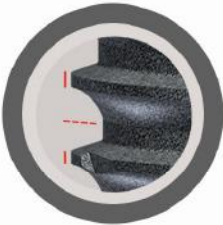
CCS BIOSHAPE

- Easy to place always Guarantee excellent initial stability



Reverse Conical Neck

- Prevent bone necrosis and bond loss
- A reduced mechanical stress in the crestal alveolar bone area
- The Repositioning of gingival papillae on the bone ring



Variable thread thickness and thread depth

- Optimized vertical and lateral bone condensing



Innovative Thread Design

- Speciallay to Endure Vertical Forces
- Easy Insertion
- Optimal Surface Area



Spiral Cutting Edge

- Powerfull Self Tapping
- Easy Path Change



Apical Design

- Quick Insertion into the Bone
- Safe for Anatomic Area

Conical Connection

M+ CONNECTION

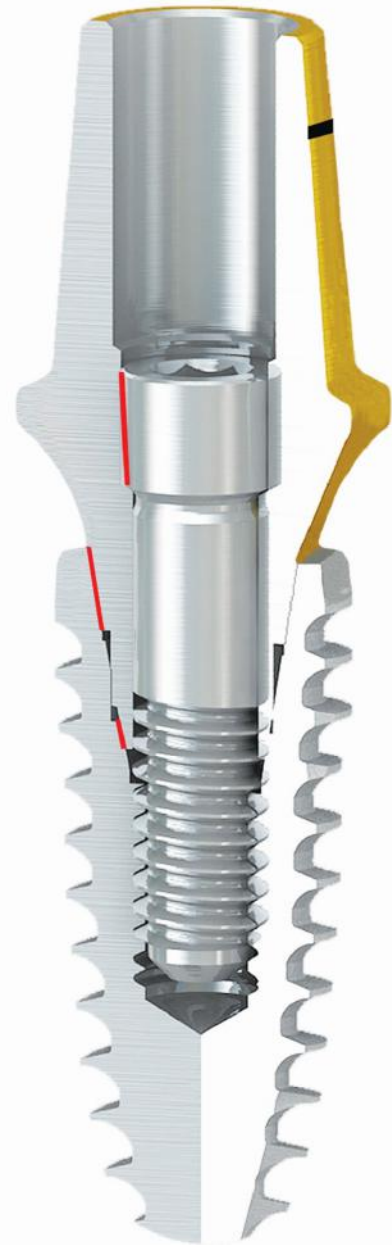
Perfect Sealing

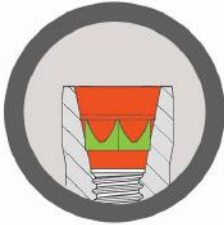
Sustainable Aesthetics

Tissue Stability

M+ Conical Connection merges the original tapered implant body with a tight sealed conical connection, offering you and your patients an esthetic solution for all indications.

The implant body mimics the shape of a natural tooth root, ensuring high initial stability for all loading protocols, including Immediate Function.





Conical Connection

- Compatible with most Conical connection systems



Platform Switching

- Bone tissue stability and Soft tissue preservation
Creates long-lasting aesthetics



Triple Morse Taper Connection

- Prevent screw loosening
- No gap between abutment and fixture



S-LINE Gingival Height

- Natural looking emergence profile
- Various choices of gingival height
0.7mm, 1.5mm, 3.0mm & 5.0mm



Freedom of 1mm

- 1mm trimmable margin gives restoration flexibility

Fixtures Overview

M+ Fixtures

M+ Conical Connection merges the original tapered implant body with a tight sealed conical connection, offering you and your patients an esthetic solution for all indications.

Mini Hex Connections

LENGTH >	8.5	10	11.5	13	15
φ 3.0mm	MP3008P	MP3010P	MP3011P	MP3013P	MP3015P
φ 3.5mm	MP3508P	MP3510P	MP3511P	MP3513P	MP3515P

Packing Contents : Fixture + Cover Screw

Regular Hex Connections

LENGTH >	6.0	7.3	8.5	10	11	13
φ 3.7mm	-----	-----	MP3708P	MP3710P	MP3711P	MP3713P
φ 4.0mm	-----	MP4007P	MP4008P	MP4010P	MP4011P	MP4013P
φ 4.5mm	MP4506P	MP4507P	MP4508P	MP4510P	MP4511P	MP4513P
φ 5.0mm	MP5006P	MP5007P	MP5008P	MP5010P	MP5011P	MP5013P
φ 6.0mm	MP6006P	MP6007P	MP6008P	MP6010P	MP6011P	MP6013P

Packing Contents : Fixture + Cover Screw

Fixture 3.0

Mini Hex Connections



DIAMETER	3.0	3.0	3.0	3.0	3.0
LENGTH	8.5	10	11.5	13	15
REFERENCE CODE	MP3008P	MP3010P	MP3011P	MP3013P	MP3015P

Packing Contents : Fixture + Cover Screw

Lindemann, Length & Twist Drills

TORQUE MAX : 45NCM

DRILLING SPEED	1000	1000	600
TYPE OF DRILL	LINDEMANN	2.2	3.0
REAL SIZE OF DRILL	1.6-2.2	2.2	2.8



CORTICAL

CANCELLEOUS







Fixture 3.5

Mini Hex Connections						
	DIAMETER	3.5	3.5	3.5	3.5	3.5
	LENGTH	8.5	10	11.5	13	15
	REFERENCE CODE	MP3508P	MP3510P	MP3511P	MP3013P	MP3515P

Packing Contents : Fixture + Cover Screw

Fixture 3.7



Regular Hex Connections					
	DIAMETER	3.7	3.7	3.7	3.7
	LENGTH	8.5	10	11	13
	REFERENCE CODE	MP3708P	MP3710P	MP3711P	MP3713P

Packing Contents : Fixture + Cover Screw

Lindemann, Length & Twist Drills

TORQUE MAX : 45NCM

DRILLING SPEED	1000	1000	1000	600
TYPE OF DRILL	LINDEMANN	2.2	3.0	3.5
REAL SIZE OF DRILL	1.6-2.2	2.2	2.8	3.2

CORTICAL					
CANCELLEOUS					

Fixture 4.0

Regular Hex Connections



DIAMETER	4.0	4.0	4.0	4.0	4.0
LENGTH	7.3	8.5	10	11	13
REFERENCE CODE	MP4007P	MP4008P	MP4010P	MP4011P	MP4013P

Packing Contents : Fixture + Cover Screw

Lindemann, Length & Twist Drills

TORQUE MAX : 45NCM

DRILLING SPEED	1000	1000	1000	1000	600
TYPE OF DRILL	LINDEMANN	2.2	3.0	3.5	4.0
REAL SIZE OF DRILL	1.6-2.2	2.2	2.8	3.2	3.6





CORITICAL
CANCELLEOUS

Fixture 4.5

Regular Hex Connections							
DIAMETER		4.5	4.5	4.5	4.5	4.5	4.5
LENGTH		6.0	7.2	8.5	10	11.5	13
REFERENCE CODE		MP4506P	MP4507P	MP4508P	MP4510P	MP4511P	MP4513P

Lindemann, Length & Twist Drills

TORQUE MAX : 45NCM









DRILLING SPEED	1000	1000	1000	1000	1000	600
TYPE OF DRILL	LINDEMANN	2.2	3.0	3.5	4.0	4.5
REAL SIZE OF DRILL	1.6-2.2	2.2	2.8	3.2	3.6	4.1
						
CORTICAL						
CANCELLEOUS						

Fixture 5.0

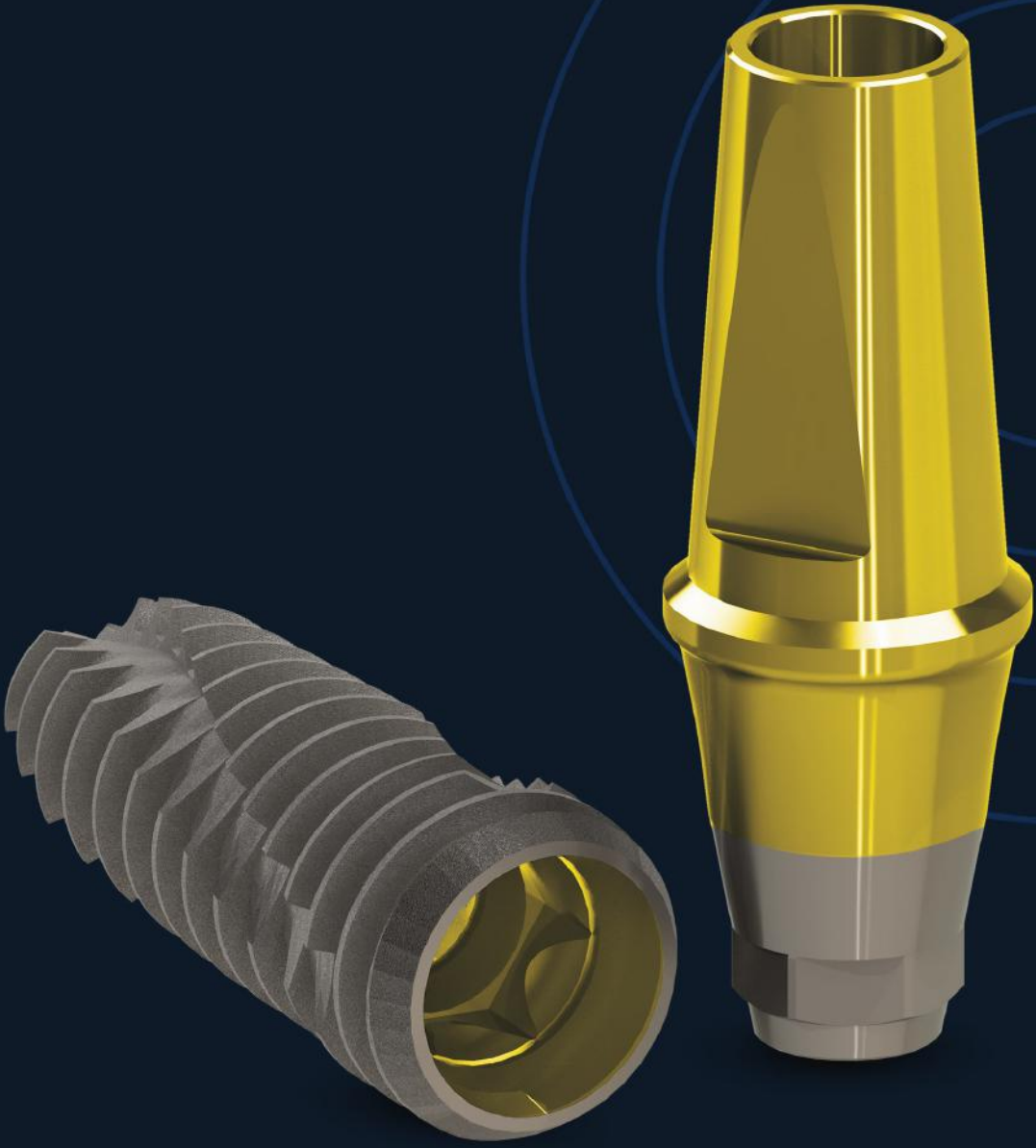
Regular Hex Connections							
	DIAMETER	5.0	5.0	5.0	5.0	5.0	5.0
	LENGTH	6.0	7.2	8.5	10	11.5	13
	REFERENCE CODE	MP5006P	MP5007P	MP5008P	MP5010P	MP5011P	MP5013P

Lindemann, Length & Twist Drills

TORQUE MAX : 45NCM

DRILLING SPEED	1000	1000	1000	1000	1000	1000	600
TYPE OF DRILL	LINDEMANN	2.2	3.0	3.5	4.0	4.5	5.0
REAL SIZE OF DRILL	1.6-2.2	2.2	2.8	3.2	3.6	4.1	4.5
							
CORTICAL							
CANCELLEOUS							

15



Healing Abutment

Specifications

- For contouring of soft tissue
- Use after the one-stage surgery or second-stage surgery
- Used with the same diameter as the final abutment and longer height than GH (Gingival Height) of abutment and gingival thickness
- Maximum tightening torque is 10Ncm
- Use 1.2 hex screw driver (SD 1210 or SD1215)



Mini Connections


Mini Hex Connections			
DIAMETER (ϕ)	4.0	4.0	4.0
HEIGHT	3.5	5.0	7.0
REFERENCE CODE	VT403M	VT405M	VT407M

Mini Hex Connections			
DIAMETER (ϕ)	4.5	4.5	4.5
HEIGHT	3.5	5.0	7.0
REFERENCE CODE	VT453M	VT455M	VT457M


NEW VT455M is excellent for 2in1 abutments

Regular Connections

Regular Hex Connections			
DIAMETER (ϕ)	4.5	4.5	4.5
HEIGHT	3.5	5.0	7.0
REFERENCE CODE	VT453	VT455	VT457

Regular Hex Connections	
DIAMETER (ϕ)	5.0
HEIGHT	5.0
REFERENCE CODE	VT505

NEW VT505 is excellent for 2in1 abutments

Regular Hex Connections			
DIAMETER (ϕ)	5.5	5.5	5.5
HEIGHT	3.5	5.0	7.0
REFERENCE CODE	VT553	VT555	VT557

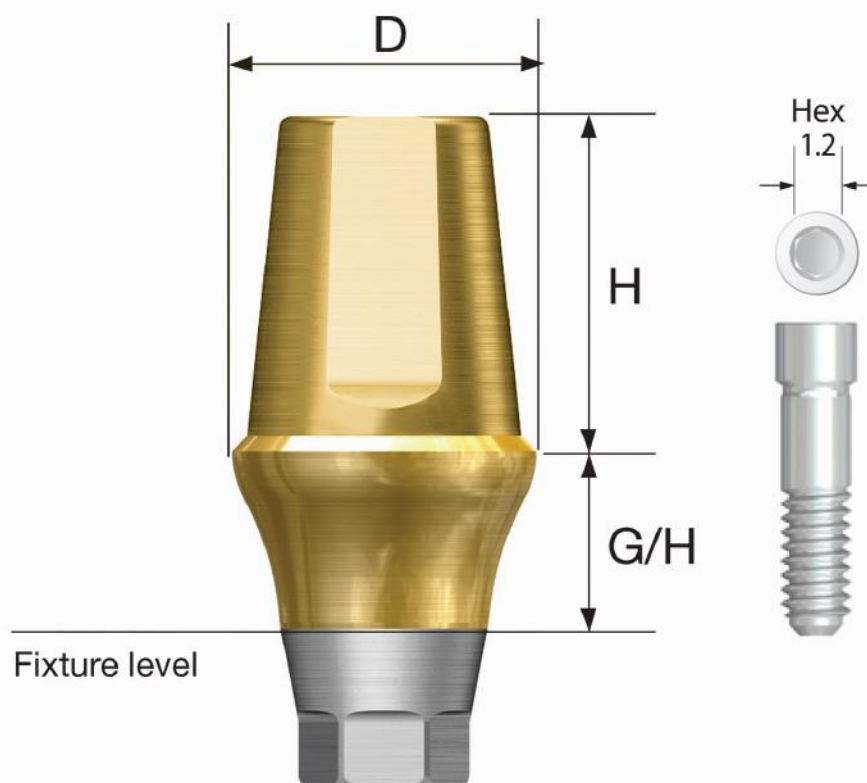
Regular Hex Connections			
DIAMETER (ϕ)	6.5	6.5	6.5
HEIGHT	3.5	5.0	7.0
REFERENCE CODE	VT653	VT655	VT657



Straight Abutment

Specifications

- Use when angle correction is not required
- Application to both single and multiple implants
- For cement-retained prosthesis
- Tightening torque: (Mini) 20Ncm, (Regular) 30Ncm
- Use 1.2 hex screw driver



Mini Connections

Mini Hex Connections				
DIAMETER (ϕ)	4.0	4.0	4.0	4.0
ANGLE	0°	0°	0°	0°
GH	0.7	1.5	3.0	5.0
REFERENCE CODE	MT4007M	MT4015M	MT4030M	MT4050M

Mini Hex Connections				
DIAMETER (ϕ)	4.5	4.5	4.5	4.5
ANGLE	0°	0°	0°	0°
GH	0.7	1.5	3.0	5.0
REFERENCE CODE	MT4507M	MT4515M	MT4530M	MT4550M

Regular Connections

22

Regular Hex Connections



DIAMETER (ϕ)	4.5	4.5	4.5	4.5
ANGLE	0°	0°	0°	0°
GH	0.7	1.5	3.0	5.0
REFERENCE CODE	MT4507	MT4515	MT4530	MT4550

Regular Hex Connections



DIAMETER (ϕ)	5.5	5.5	5.5	5.5
ANGLE	0°	0°	0°	0°
GH	0.7	1.5	3.0	5.0
REFERENCE CODE	MT5507	MT5515	MT5530	MT5550

Regular Hex Connections



DIAMETER (ϕ)	6.5	6.5	6.5	6.5
ANGLE	0°	0°	0°	0°
GH	0.7	1.5	3.0	5.0
REFERENCE CODE	MT6507	MT6515	MT6530	MT6550

2 in 1 Abutment

Mini Hex Specifications

- Multifunction Abutment : Both Impression Coping & Abutment in one component
- Multi GH Abutment : the Abutment GH can be changed 3.5mm to 1.5mm by milling
This is very helpful specially in cases you need different GH in buccal, lingual, mesial & distal
- Tightening torque: 20Ncm

Mini Hex Connections	
DIAMETER	4.5
ANGLE	0
GH	3.5-1.5
REFERENCE CODE	MTP4515M



Regular Hex Specifications

- Multifunction Abutment : Both Impression Coping & Abutment in one component
- Multi GH Abutment : the Abutment GH can be changed 3.5mm to 1.5mm by milling
This is very helpful specially in cases you need different GH in buccal, lingual, mesial & distal
- Tightening torque: 30Ncm

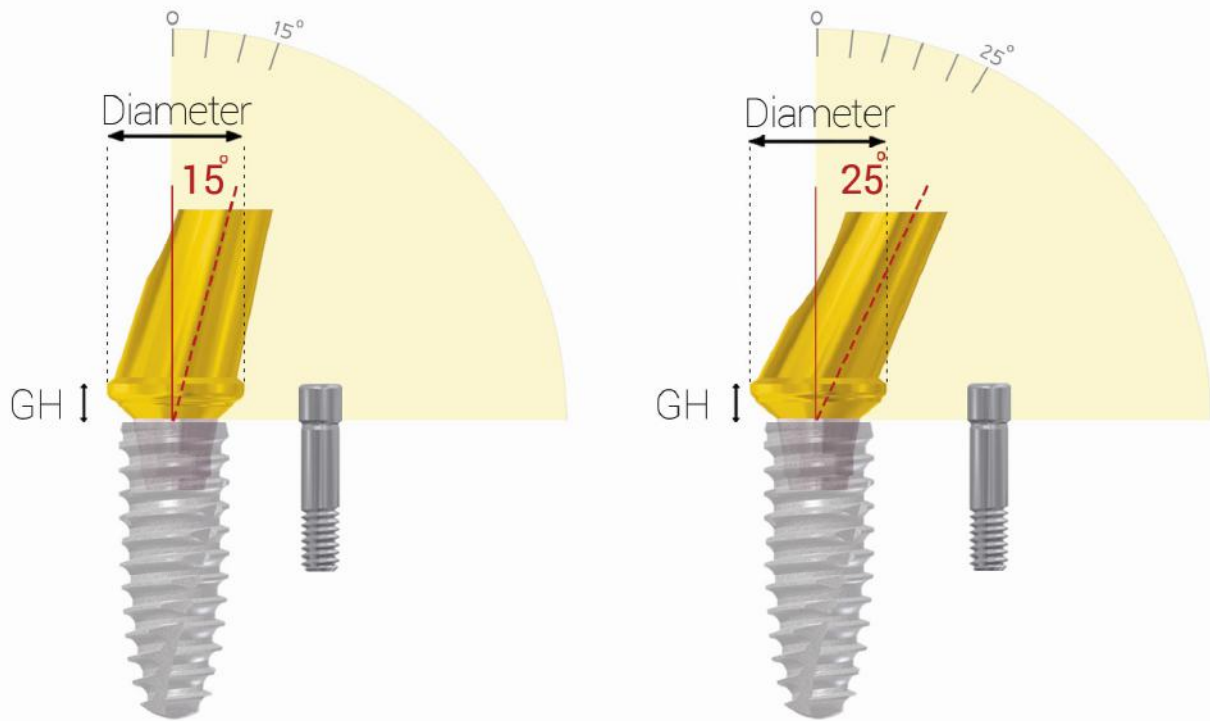
Regular Hex Connections	
DIAMETER	5.0
ANGLE	0
GH	3.5-1.5
REFERENCE CODE	MTP5015



Angled Abutment

Specifications



- Use when angle correction is required
- Application to both single and multiple implants
- For cement-retained prosthesis
- Tightening torque: (Mini) 20Ncm, (Regular) 30Ncm
- Use 1.2 hex screw driver



Mini Connections

Mini Hex Connections					
	DIAMETER (ϕ)	4.0	4.0	4.0	4.0
	ANGLE	15°	15°	25°	25°
	GH	1.5	3.0	1.5	3.0
	REFERENCE CODE	MT401515M	MT403015M	MT401525M	MT403025M

Abutment Screw included





Mini Hex Connections					
	DIAMETER (ϕ)	4.5	4.5	4.5	4.5
	ANGLE	15°	15°	25°	25°
	GH	1.5	3.0	1.5	3.0
	REFERENCE CODE	MT451515M	MT453015M	MT451525M	MT453025M

Abutment Screw included

Regular Connections

Regular Hex Connections				
DIAMETER (ϕ)	4.5	4.5	4.5	4.5
ANGLE	15°	15°	25°	25°
GH	1.5	3.0	1.5	3.0
REFERENCE CODE	MT451515	MT453015	MT451525	MT453025

Abutment Screw included

Regular Hex Connections				
DIAMETER (ϕ)	5.5	5.5	5.5	5.5
ANGLE	15°	15°	25°	25°
GH	1.5	3.0	1.5	3.0
REFERENCE CODE	MT551515	MT553015	MT551525	MT553025

Abutment Screw included



Impression Coping

Closed Tray Impression Coping (Pop In)





- For impression on single implant
- For impression on multiple implants when all are parallel
- Tightening torque : 5-10 Ncm
- Use 1.2 hex screw driver







Mini Hex Connections				
DIAMETER (ϕ)	4.0	4.0	4.5	4.5
HEIGHT	SHORT	LONG	SHORT	LONG
REFERENCE CODE	TI400M	TI400LM	TI450M	TI450LM

Regular Hex Connections						
DIAMETER (ϕ)	4.5	4.5	5.5	5.5	6.5	6.5
HEIGHT	SHORT	LONG	SHORT	LONG	SHORT	LONG
REFERENCE CODE	TI450	TI450L	TI550	TI550L	TI650	TI650L

Open Tray Impression Coping (Pick Up)

- For more accurate impression on single & multiple implant parallel or not parallel
- Tightening torque : 5-10 Ncm
- Use 1.2 hex screw driver

Mini Hex Connections				
DIAMETER (ϕ)	4.0	4.0	4.5	4.5
HEIGHT	SHORT	LONG	SHORT	LONG
REFERENCE CODE	TD400M	TD400LM	TD450M	TD450LM

Regular Hex Connections						
DIAMETER (ϕ)	4.5	4.5	5.5	5.5	6.5	6.5
HEIGHT	SHORT	LONG	SHORT	LONG	SHORT	LONG
REFERENCE CODE	TD450	TD450L	TD550	TD550L	TD650	TD650L

Ball Abutment

Specifications

- Use to create overdenture for edentulous patient
- Path recovery to the maximum of 15°
- Tightening torque: 30 Ncm
- Use ball abutment driver

Mini Hex Connections					
GH	1.0	2.0	3.0	4.0	5.0
REFERENCE CODE	ASC1M	ASC2M	ASC3M	ASC4M	ASC5M

Regualr Hex Connections					
GH	1.0	2.0	3.0	4.0	5.0
REFERENCE CODE	ASC1	ASC2	ASC3	ASC4	ASC5

Ball Abutment Components

Ball Cap



L	REFERENCE CODE
4	ASC400

Clinical O-Ring & Lab O-Ring are included

Ball Retainer



L	REFERENCE CODE
2	ASC200

Clinical O-Ring & Lab O-Ring are included

O-Ring



L	REFERENCE CODE
Clinical O-Ring	HAS002
Lab O-Ring	HAS003

Ball Analog



L	REFERENCE CODE
Ball Analog	HAS001

Customized Abutment

Gold Casting Abutment

- For screw-retained prosthesis
- For customized angle, shape, ... on cement-retained prosthesis
- For overdenture prosthesis on bar base
- Tightening Torque: (Mini) 20 Ncm, (Regular) 30Ncm
- Use 1.2 hex screw driver

Mini Hex Connections			
DIAMETER	Hex	Non-Hex	
GH	1	1	
REFERENCE CODE	GCA400HM	GCA400NM	

Abutment Screw included

Regular Hex Connections			
DIAMETER	Hex	Non-Hex	
GH	1	1	
REFERENCE CODE	GCA450H	GCA450N	

Abutment Screw included

Customized Abutment

Non-Precious Casting Abutment

- For screw-retained prosthesis
- For customized angle, shape, ... on cement-retained prosthesis
- For overdenture prosthesis on bar base
- Tightening Torque: (Mini) 20 Ncm, (Regular) 30Ncm
- Use 1.2 hex screw driver

Mini Hex Connections	Hex	Non-Hex
DIAMETER	Hex	Non-Hex
GH	1	1
REFERENCE CODE	CCM400HM	CCM400NM

Abutment Screw included

Regular Hex Connections	Hex	Non-Hex
DIAMETER	Hex	Non-Hex
GH	1	1
REFERENCE CODE	CCM450H	CCM450N

Abutment Screw included

Plastic Abutment

UCLA Plastic Abutment

- For screw-retained prosthesis
- For customized angle, shape, ... on cement-retained prosthesis
- For overdenture prosthesis on bar base
- Tightening Torque: (Mini) 20 Ncm, (Regular) 30Ncm
- Use 1.2 hex screw driver

Mini Hex Connections			
DIAMETER	Hex	Non-Hex	
GH	1	1	
REFERENCE CODE	PA400HM	PA400NM	

Regular Hex Connections			
DIAMETER	Hex	Non-Hex	
GH	1	1	
REFERENCE CODE	PA450H	PA450N	

Temporary & Analog

Specifications

- For temporary crown on single or multi implant
- Tightening Torque: 30 Ncm
- Use 1.2 hex screw driver

Temporary Abutment

Mini Hex Connections		
		
DIAMETER	Hex	Non-Hex
GH	1	1
REFERENCE CODE	TA400HM	TA400NM

Abutment Screw included

Regular Hex Connections		
		
DIAMETER	Hex	Non-Hex
GH	1	1
REFERENCE CODE	TA450H	TA450N

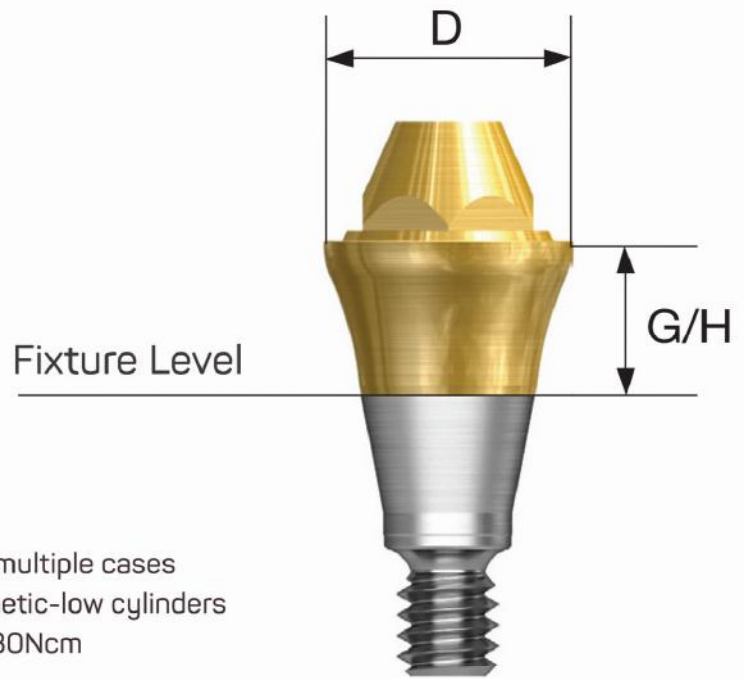
Abutment Screw included

Analog

Mini Hex Connections	
	
DIAMETER	3.0, 3.5
REFERENCE CODE	RL300M

Regular Hex Connections		
		
DIAMETER	3.7	4.0, 4.5, 5.0, 6.0
REFERENCE CODE	RL350	RL450

Multi Abutment



Features

- Uses specialized outer driver
- Used in screw type prostheses for multiple cases
- Prosthesis is fabricated with aesthetic-low cylinders
- Recommended tightening torque : 30Ncm

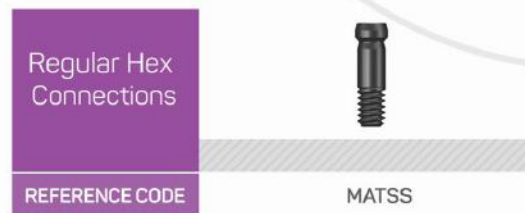
Mini Hex Connections					
DIAMETER	4.8	4.8	4.8	4.8	4.8
GH	1.0	2.0	3.0	4.0	5.0
REFERENCE CODE	MTA501M	MTA502M	MTA503M	MTA504M	MTA505M

Regular Hex Connections					
DIAMETER	4.8	4.8	4.8	4.8	4.8
GH	1.0	2.0	3.0	4.0	5.0
REFERENCE CODE	MTA501	MTA502	MTA503	MTA504	MTA505

Multi Abutment Components

Multi Angled Abutment Screw

- 1.2 hex driver
- For Multi Angled abutments only



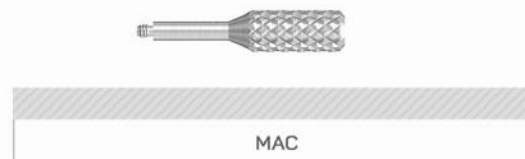
Multi Abutment Outer Driver

- Torque driver specialized for multi-abutments




Multi Angled Abutment Carrier

- Provides aid in carrying and connecting multi angled abutment to the fixture.



Esthetic-low Healing Cap

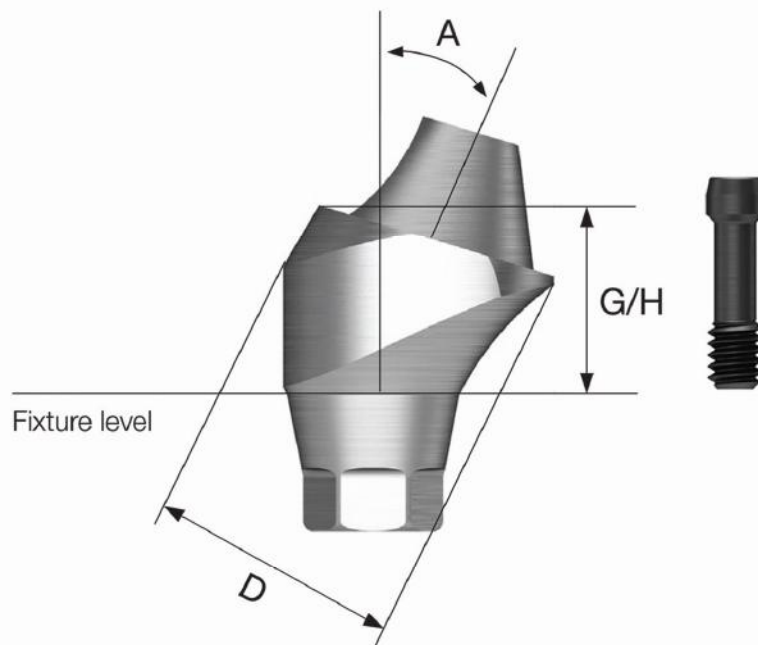
- Used when protecting aesthetic-low abutment in the oral cavity and minimizing foreign body sensation by the patient
- 1.2 hex driver
- Recommended tightening torque : 20Ncm

Regular Hex Connections	
DIAMETER (ϕ)	4.8
HEIGHT	6.0
REFERENCE CODE	MHCR100

Multi Angled Abutment

Features

- Use in Screwed retained prostheses
- Compensation path in multiple implant case
- Up to 60° path compensation (two implant standard)
- Prosthetic fabrication on aesthetic-low cylinder (non-hex)
- Recommended tightening torque : 20Ncm(mini), 30Ncm (regular)
- Packing unit : multi angled abutment screw



Mini Connections

Mini Hex Connections			
DIAMETER (ϕ)	4.8	4.8	4.8
ANGLE	17°	17°	17°
GH	2.5	3.0	4.0
REFERENCE CODE	MAA217M	MAA317M	MAA417M

Mini Hex Connections			
DIAMETER (ϕ)	4.8	4.8	4.8
ANGLE	30°	30°	30°
GH	3.5	4.0	5.0
REFERENCE CODE	MAA330M	MAA430M	MAA530M

Regular Connections

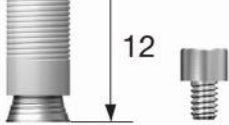
Regular Hex Connections			
DIAMETER (ϕ)	4.8	4.8	4.8
ANGLE	17°	17°	17°
GH	2.5	3.0	4.0
REFERENCE CODE	MAA217	MAA317	MAA417

Regular Hex Connections			
DIAMETER (ϕ)	4.8	4.8	4.8
ANGLE	30°	30°	30°
GH	3.5	4.0	5.0
REFERENCE CODE	MAA330	MAA430	MAA530

Multi Angled Abutment Components

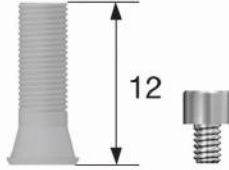
Esthetic-low Gold Cylinder

- Cast with dental-grade gold alloy
- Melting Point : 1400°C ~ 1450°C
(cast using non-precious metal alloy is prohibited)
- 1.2 hex driver
- Recommended tightening torque : 20Ncm
- Packing unit : cylinder + Ti screw

Regular Hex Connections	
DIAMETER (ϕ)	4.8
TYPE	Non-Hex
REFERENCE CODE	MGR100

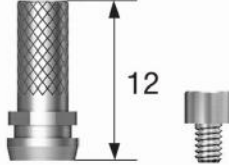
Esthetic-low Plastic Cylinder

- Cast with dental-grade alloy
(gold, non-precious metals) after customization
- Connection area slightly different compared to gold cylinder
- 1.2 hex driver
- Recommended tightening torque : 20Ncm
- Packing unit : cylinder + Ti screw

Regular Hex Connections	
DIAMETER (ϕ)	4.8
TYPE	Non-Hex
REFERENCE CODE	MEPR100


Esthetic-low Temporary Cylinder

- Temporary prostheses (Material: Ti Gr-3)
- 1.2 hex driver
- Recommended tightening torque : 20Ncm
- Packing unit : cylinder + Ti screw

Regular Hex Connections	
DIAMETER (ϕ)	4.8
TYPE	Non-Hex
REFERENCE CODE	MTR200TH


Esthetic-low Pick-up Impression Coping

- Open tray impression
- Holed flag has superior impression stability
- Packing unit : impression coping body + guide pin

Regular Hex Connections			
	DIAMETER (ϕ)	4.8	4.8
	TYPE	Non-Hex	Guide Pin15
	REFERENCE CODE	MSR100	GP150


Esthetic-low Transfer Impression Coping

- Closed tray impression

Regular Hex Connections		
	DIAMETER (ϕ)	4.8
	H	8.0
	REFERENCE CODE	MTTR100


Esthetic-low Lab Analog

- Replicates abutment's position in a working model

Regular Hex Connections		
	DIAMETER (ϕ)	4.8
	REFERENCE CODE	MERR300

Esthetic-low Polishing Protector

- Used to prevent damage to the connection area of cylinder when polishing.

Regular Hex Connections		
	DIAMETER (ϕ)	4.8
	REFERENCE CODE	MPCR100



Surgical Components

Point Lindemann Drill



DIAMETER ()	2.2
REFERENCE CODE	LIN220P

Length Drill



DIAMETER ()	2.2
REFERENCE CODE	FLD220P

Twist Drill



DIAMETER	2.8	3.2	3.6	4.1	4.5	5.5
REFERENCE CODE	FMX30P	FMX35P	FMX40P	FMX45P	FMX50P	FMX60P

Fixture Driver

Mini Hex Connections



TITLE	MOTOR	RATCHET SHORT	RATCHET LONG
REFERENCE CODE	MFDM	RFDMS	RFDML

Regular Hex Connections



TITLE	MOTOR	RATCHET SHORT	RATCHET LONG
REFERENCE CODE	MFD	RFDS	RFDL

Stopper



LENGTH	7.3	8.5	10	11.5	13
REFERENCE CODE	ST07P	ST08P	ST10P	ST11P	ST13P

Extension Drill



REFERENCE CODE	EX17
----------------	------

Parallel Pin

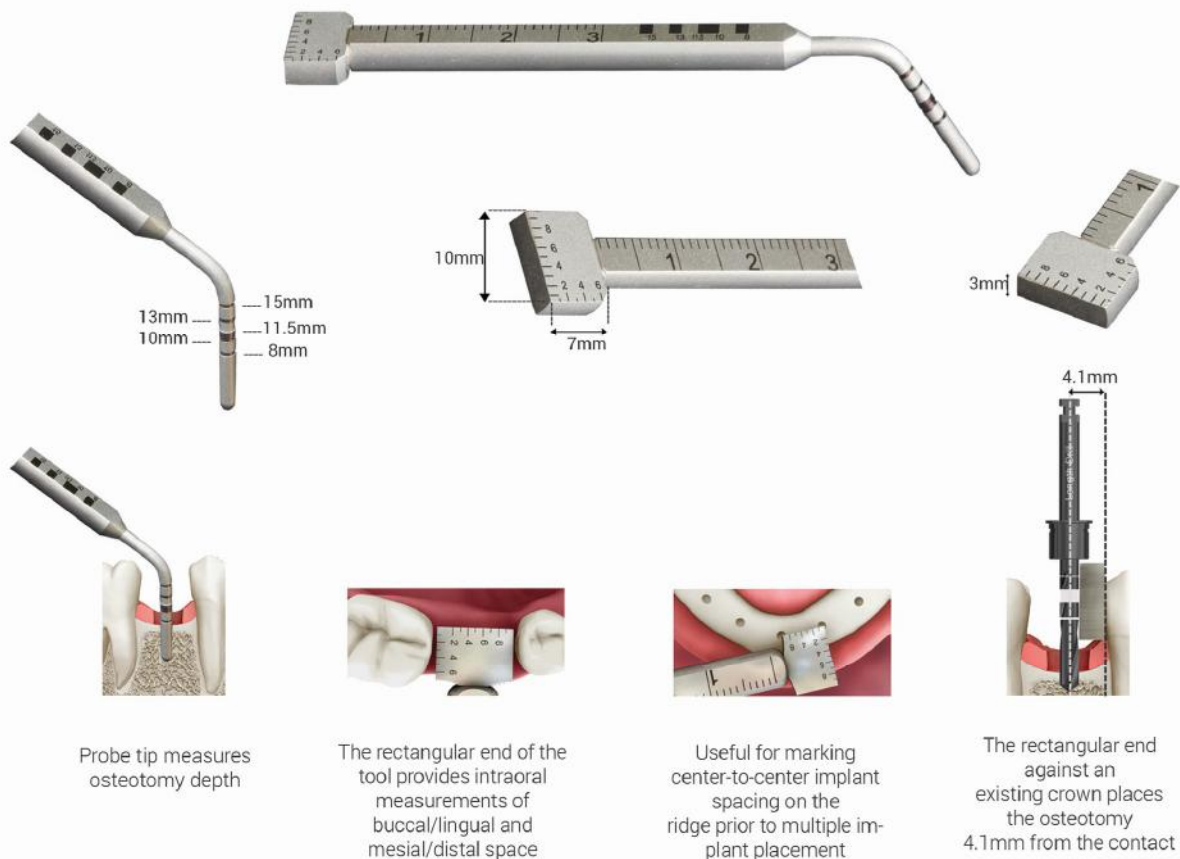


REFERENCE CODE	PP10
----------------	------

Multi Depth Gauge

Specifications

- 2.0mm probe tip measures osteotomy depth in millimeter increments
- Three centimeter graduated ruler on shaft
- Measures implant-to-implant, mesial/distal & buccal/lingual space
- Measures implant spacing adjacent to an existing tooth



Prosthetic Components

Screw Driver

- Use for tightening cover screw, healing abutment, straight abutment, angled abutment, non precious abutment, UCLA gold abutment, plastic abutment, temporary abutment & Impression coping
- Use by hand or ratchet torque wrench



LENGTH	SHORT
REFERENCE CODE	SD1210



LENGTH	LONG
REFERENCE CODE	SD1215

Ball Driver

- Use for tightening ball abutment
- Use ratchet torque wrench



REFERENCE CODE	MBD24
----------------	-------

Torque Ratchet Wrench



REFERENCE CODE	TRWP
----------------	------

OrderSheet

FIXTURES		
DIA	L	RC
3.0	8.5	MP3008P
3.0	10	MP3010P
3.0	11.5	MP3011P
3.0	13	MP3013P
3.0	15	MP3015P
3.5	8.5	MP3508P
3.5	10	MP3510P
3.5	11.5	MP3511P
3.5	13	MP3513P
3.5	15	MP3515P
3.7	8.5	MP3708P
3.7	10	MP3710P
3.7	11	MP3711P
3.7	13	MP3713P
4.0	7.3	MP4007P
4.0	8.5	MP4008P
4.0	10	MP4010P
4.0	11	MP4011P
4.0	13	MP4013P
4.0	15	MP4015P
4.5	6.0	MP4506P
4.5	7.3	MP4507P
4.5	8.5	MP4508P
4.5	10	MP4510P
4.5	11	MP4511P
4.5	13	MP4513P
5.0	6.0	MP5006P
5.0	7.3	MP5007P
5.0	8.5	MP5008P
5.0	10	MP5010P
5.0	11	MP5011P
5.0	13	MP5013P
6.0	6.0	MP6006P
6.0	7.3	MP6007P
6.0	8.5	MP6008P
6.0	10	MP6010P
6.0	11	MP6011P
HEALING ABUTMENT		
DIA	H	RC
4.0	3.5	VT403M
4.0	5.0	VT405M
4.0	7.0	VT407M
4.5	3.5	VT453M
4.5	5.0	VT455M
4.5	7.0	VT457M
4.5	3.5	VT453
4.5	5.0	VT455
4.5	7.0	VT457
5.0	5.0	VT505
5.5	3.5	VT553
5.5	5.0	VT555
5.5	7.0	VT557
6.5	3.5	VT653
6.5	5.0	VT655
6.5	7.0	VT657
2IN1 ABUTMENT		
ANGLE = 0		
DIA	GH	RC
4.5	3.5-1.5	MTP4515M
5.0	3.5-1.5	MTP5015

STRAIGHT ABUTMENT			
DIA	GH	RC	
4.0	0.7	MT4007M	
4.0	1.5	MT4015M	
4.0	3.0	MT4030M	
4.0	5.0	MP4050M	
4.5	0.7	MP4507M	
4.5	1.5	MP4515M	
4.5	3.0	MP4530M	
4.5	5.0	MP4550M	
4.5	0.7	MT4507	
4.5	1.5	MT4515	
4.5	3.0	MT4530	
4.5	5.0	MT4550	
5.5	0.7	MT5507	
5.5	1.5	MT5515	
5.5	3.0	MT5530	
5.5	5.0	MT5550	
6.5	0.7	MT6507	
6.5	1.5	MT6515	
6.5	3.0	MT6530	
6.5	5.0	MT6550	
ANGLED ABUTMENT			
D	A	GH	RC
4.0	15	1.5	MT401515M
4.0	15	3.0	MT403015M
4.0	25	1.5	MT401525M
4.0	25	3.0	MT403025M
4.5	15	1.5	MT451515M
4.5	15	3.0	MT453015M
4.5	25	1.5	MT451525M
4.5	25	3.0	MT453025M
4.5	15	1.5	MT451515
4.5	15	3.0	MT453015
4.5	25	1.5	MT451525
4.5	25	3.0	MT453025
5.5	15	1.5	MT551515
5.5	15	3.0	MT553015
5.5	25	1.5	MT551525
5.5	25	3.0	MT553025
Impression Coping			
CLOSED TRAY (POP IN)			
DIA	H	RC	
4.0	SHORT	TI400M	
4.0	LONG	TI400LM	
4.5	SHORT	TI450M	
4.5	LONG	TI450LM	
4.5	SHORT	TI450	
4.5	LONG	TI450L	
5.5	SHORT	TI550	
5.5	LONG	TI550L	
6.5	SHORT	TI650	
6.5	LONG	TI650L	
OPEN TRAY (PICK UP)			
DIA	H	RC	
4.0	SHORT	TD400M	
4.0	LONG	TD400LM	
4.5	SHORT	TD450M	
4.5	LONG	TD450LM	
4.5	SHORT	TD450	
4.5	LONG	TD450L	
5.5	SHORT	TD550	
5.5	LONG	TD550L	
6.5	SHORT	TD650	
6.5	LONG	TD650L	

BALL ABUTMENT		
GH	RC	
1.0	ASC1M	
2.0	ASC2M	
3.0	ASC3M	
4.0	ASC4M	
5.0	ASC5M	
1.0	ASC1	
2.0	ASC2	
3.0	ASC3	
4.0	ASC4	
5.0	ASC5	
BALL ABUTMENT COMPONENTS		
BALL CAP		
L	RC	
4.0	ASC400	
BALL RETAINER		
L	RC	
2.0	ASC200	
BALL ANALOG		
RC		
HAS001		
O-RING		
RC		
Clinical O-Ring	HAS002	
Lab O-Ring	HAS003	
CUSTOMIZED ABUTMENT		
GOLD CASTING ABUTMENT		
DIA	GH	RC
Hex 1.0	GCA400HM	
Non-Hex 1.0	GCA400NM	
Hex 1.0	GCA450H	
Non-Hex 1.0	GCA450N	
NON-PRECIOUS CASTING ABUTMENT		
DIA	GH	RC
Hex 1.0	CCM400HM	
Non-Hex 1.0	CCM400NM	
Hex 1.0	CCM450H	
Non-Hex 1.0	CCM450N	
PLASTIC ABUTMENT		
DIA	GH	RC
Hex 1.0	PA400HM	
Non-Hex 1.0	PA400NM	
Hex 1.0	PA450H	
Non-Hex 1.0	PA450N	
Temporary Abutment		
DIA	GH	RC
Hex 1.0	TA400HM	
Non-Hex 1.0	TA400NM	
Hex 1.0	TA450H	
Non-Hex 1.0	PA450N	
ANALOG ABUTMENT		
DIA	RC	
3.0,3.5	RL300M	
3.7	RL350	
4.0,4.5,5.0,6.0	RL450	

MULTI ABUTMENT			
DIA	GH	RC	
4.8	1.0	MTA501M	
4.8	2.0	MTA502M	
4.8	3.0	MTA503M	
4.8	4.0	MTA504M	
4.8	5.0	MTA505M	
4.8	1.0	MTA501	
4.8	2.0	MTA502	
4.8	3.0	MTA503	
4.8	4.0	MTA504	
4.8	5.0	MTA505	
MULTI ABUTMENT COMPONENTS			
MULTI ANGLED ABUTMENT SCREW			
RC			
MATSM			
MATSS			
ESTHETIC-LOW HEALING CAP			
RC			
MHCR100			
MULTI ABUTMENT OUTER DRIVER			
RC			
MAOD			
MULTI ANGLED ABUTMENT CARRIER			
RC			
MAC			
Multi Angled Abutment			
D	A	GH	RC
4.8	17	2.5	MAA217M
4.8	17	3.0	MAA317M
4.8	17	4.0	MAA417M
4.8	30	3.5	MAA330M
4.8	30	4.0	MAA430M
4.8	30	5.0	MAA530M
4.8	17	2.5	MAA217
4.8	17	3.0	MAA317
4.8	17	4.0	MAA417
4.8	30	3.5	MAA330
4.8	30	4.0	MAA430
4.8	30	5.0	MAA530
MULTI ANGLED COMPONENTS			
ESTHETIC-LOW GOLD CYLINDER			
D	TYPE	RC	
4.8	Non-Hex	MGR100	
ESTHETIC-LOW PLASTIC CYLINDER			
D	TYPE	RC	
4.8	Non-Hex	MEPR100	
ESTHETIC-LOW TEMPORARY CYLINDER			
D	TYPE	RC	
4.8	Non-Hex	MTR200TH	
ESTHETIC-LOW PICK-UP IMPRESSION COPING			
D	TYPE	RC	
4.8	Non-Hex	MSR100	
4.8	Guide Pin15	GP150	
ESTHETIC-LOW TRANSFER IMPRESSION COPING			
D	H	RC	
4.8	8.0	MITR100	
DIA	RC		
4.8	MERR300		
ESTHETIC-LOW POLISHING PROTECTOR			
DIA	RC		
4.8	MPCR100		

SURGICAL COMPONENTS	
POINT LINEMANN DRILL	
DIA	RC
2.2	LIN220P
LENGTH DRILL	
DIA	RC
2.2	FLD220P
TWIST DRILL	
DIA	RC
2.8	FMX30P
3.2	FMX35P
3.6	FMX40P
4.1	FMX45P
4.5	FMX50P
5.5	FMX60P
FIXTURE DRIVER	
TITLE	RC
MOTOR	MFD
RATCHET SHORT	RFDMS
RATCHET LONG	RFDML
MOTOR	MFD
RATCHET SHORT	RFDS
RATCHET LONG	RFDL
STOPPER	
LENGTH	RC
7.3	ST07P
8.5	ST08P
10	ST10P
11.5	ST11P
13	ST13P
EXTENSION DRILL	
RC	
EX17	
PARALLEL PIN	
RC	
PP10	
PROSTHETIC COMPONENTS	
SCREW DRIVER	
LENGTH	RC
SHORT	SD1210
LONG	SD1215
BALL DRIVER	
RC	
MBD024	
TORQUE RATCHET WRENCH	
RC	
TRWP	

★
 D/DIA = DIAMETER
 L = LENGTH
 H = HEIGHT
 A = ANGLE
 GH = GINGIVAL HEIGHT
 RC = REFERENCE CODE



Our Mission

It's MIB's mission to satisfy dental practitioners' desires for high-quality, low-cost care solutions that keep patients happy.

MIB™ Products offer reliable performance where you need it.

MIB is deeply committed to its core values of quality, service, agility, innovation, integrity and caring; reflected in every step of our work process and supported by over 50 dedicated MIB employees.

MIB strives to provide superior customer service through prompt action and delivery, as well as the provision of on-going client support.

In short, we truly value our relationship with our customers.



Shaping
the Future of
Implants...

mib[®] make it best

FDA CE ISO 9001
0476 13485

www.mibdental.com

info@mibdental.com

IDE BARTAR KEYVAN

+98(21)27679

#49, 5th Negarestan (Haji Hadi), Pasharan
Tehran, IRAN

 @mibimplant